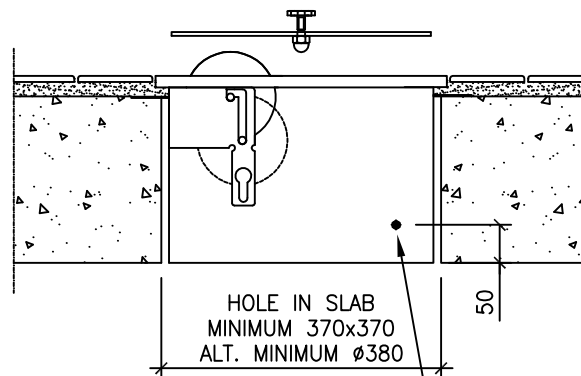


M6 Earthbonding screw

The lane well is manufactured from stainless steel EN 1.4404/316L.  
 The lid is manufactured with anti-slip pattern as shown above.  
 The lane well fits any racing lanes in dimension  $\text{Ø}150\text{mm}$  and  $\text{Ø}100\text{mm}$ .  
 Each lane well is equipped with two anchors for fixing of racing lanes.



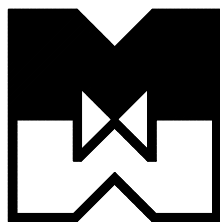
M6 Earthbonding screw (on the outside)

At installation, the lane well shall be fixed in correct position to the concrete slab.  
 Please make sure the water protective sealant covers the horizontal flange.

The lane well shall be earthbonded.

Quantity	H1	H2

*This drawing is the property of Malmsten AB. It cannot be copied, shown or given to a third part without agreement from Malmsten AB. Legal action may be taken to protect this copyright.*



**MALMSTEN AB**

Box 73, 296 21 ÅHUS Sweden  
 Tel. +46 (0)44-247150 Fax +46 (0)44-247435

E-mail: [info@malmsten.com](mailto:info@malmsten.com) Site: <http://www.malmsten.com>

Reg.	No.	Revision of:	Sign.	Date
------	-----	--------------	-------	------

Project name:

**LANE WELL**  
 FOR RACING LANE  $\text{Ø}100\text{mm}$  &  $\text{Ø}150\text{mm}$   
 Art.no. 2010004  
 (FOR TILED CONCRETE SLAB)

Drawn by TS	Revised by TM	File name 2010004 ENG.dwg	Scale 1:10/A4	Working nr. 2010004 1
----------------	------------------	------------------------------	------------------	--------------------------